

# x610 Series

## LAYER 3+ NETWORK SWITCHES

The Allied Telesis x610 Series is the high performing and scalable solution for today's networks, providing an extensive range of port-density and uplink-connectivity options.

With a choice of 24-port and 48-port versions and optional 10 Gigabit uplinks, plus the ability to stack up to eight units, the x610 Series can connect anything from a small workgroup to a large business.

### High Performing

The x610 Series features fully non-blocking switching on all ports, so IPv4 and IPv6 Layer 2 switching and Layer 3 routing occur at wirespeed with low latency. This is ideal for high-end server deployments, and, when combined with a large Layer 3 route table, for aggregating Gigabit connections.

### Powerful Network Management

Meeting the increased management requirements of modern converged networks, Allied Telesis Management Framework (AMF) automates many everyday tasks including configuration management. The complete network can be managed as a single virtual device with powerful centralized management features. Growing the network can be accomplished with plug-and-play simplicity, and network node recovery is fully zero-touch.



### Resilient

The x610 Series provides uninterrupted access to online applications by implementing a network with no single point of failure. Distributing resources across a stacked group of units means no network downtime. A fully resilient solution is created with VCStack™

(Virtual Chassis Stacking), where up to eight units can form a single virtual chassis with dual connections to key servers and access switches. VCStack can be implemented in the same cabinet over copper cabling, or to remote locations using fiber.



Allied Telesis EPSRing™ (Ethernet Protection Switched Rings), technology provides a high performing resilient design for distributed networks. A high-speed solution where recovery occurs within as little as 50ms can be deployed in ring-based topologies. Several switches can form a protected ring, running at up to 10Gbps.



### Scalable

The flexibility of the x610 Series, coupled with the ability to stack multiple units, ensures a future-proof network. The choice of 24-port and 48-port versions and Gigabit or 10 Gigabit uplink ports enables uplink bandwidth to be tailored to suit network applications. Expansion modules are available for local and long-distance stacking. Long-distance expansion modules can be configured to provide two additional 10G ports.

Flexible endpoint deployment is ensured with the ability to power devices such as IP phones, security cameras, and wireless access points directly from the switch. This convergence of voice, video



and data on today's networks is enabled by Power over Ethernet Plus (PoE+), which delivers the added benefit of reducing costs.

### Secure

Multiple customers can have their own secure virtual network within the same physical infrastructure, as the x610 Series switches are able to divide a single router into multiple independent virtual routing domains. Layer 3 network virtualization provided by Virtual Routing and Forwarding (VRF Lite) creates independent routing domains, where IP addresses can overlap without causing conflict.

A secure network environment is guaranteed, with powerful control over network traffic types, secure management options, and other multi-layered security features built into the x610 Series switches.

## New Features

» Allied Telesis Management Framework (AMF)

# Key Features

## Allied Telesis Management Framework (AMF)

» Allied Telesis Management Framework (AMF) is a sophisticated suite of management tools that provide a simplified approach to network management. Common tasks are automated or made so simple that the every-day running of a network can be achieved without the need for highly-trained, and expensive, network engineers. Powerful features like centralized management, auto-backup, auto-upgrade, auto-provisioning and auto-recovery enable plug-and-play networking and zero-touch management.

## VCStack (Virtual Chassis Stacking)

» Create a VCStack of up to eight units with 48Gbps of stacking bandwidth to each unit. VCStack provides a highly available system where network resources are spread out across stacked units, reducing the impact if one of the units fails. Aggregating switch ports on different units across the stack provides excellent network resiliency.

## Long-distance Stacking

» Long-distance stacking allows a VCStack to be created over longer distances, perfect for a distributed network environment.

## EPSRing (Ethernet Protection Switched Rings)

» EPSRing and 10 Gigabit Ethernet allow several x610 switches to form a high-speed protected ring capable of recovery within as little as 50ms. This feature is perfect for high performance and high availability in enterprise networks.

» SuperLoop Protection (SLP) enables a link between two EPSR nodes to be in separate EPSR domains, improving redundancy and network fault resiliency.

## Easy to Manage

» Allied Telesis x610 Layer 3+ switches run the advanced AlliedWare Plus™ Layer 3 fully featured operating system, delivering a rich feature set and an industry-standard CLI. In addition to the CLI, x610 switches feature a comprehensive GUI for easy access to monitoring and configuration.

## Industry leading Quality of Service (QoS)

» Comprehensive low-latency wirespeed QoS provides flow-based traffic management with full classification, prioritization, traffic shaping and min/max bandwidth profiles. Enjoy boosted network performance and guaranteed delivery of business-critical Ethernet services and applications. Time-critical services such as voice and video take precedence over non-essential services such as file downloads, maintaining responsiveness of Enterprise applications.

## Power over Ethernet Plus (PoE+)

» With PoE, a separate power connection to media endpoints such as IP phones and wireless access points is not necessary. PoE+ provides even greater flexibility, providing the capability to connect devices requiring more power (up to 30 Watts)—for example, tilt and zoom security cameras.

» Build a redundant PoE+ high-availability solution using VCStack and additional RPS units. See the x610 PSU PoE options table on page 5 for details.

## Link Layer Discovery Protocol—Media Endpoint Discovery (LLDP—MED)

» LLDP-MED extends LLDP basic network endpoint discovery and management functions. LLDP-MED allows for media endpoint specific messages, providing detailed information on power requirements, network policy, location discovery (for Emergency Call Services) and inventory.

## Open Shortest Path First (OSPFv3)

» OSPF is a scalable and adaptive routing protocol for IP networks. The addition of OSPFv3 adds support for IPv6 and further strengthens the Allied Telesis focus on next generation networking.

## Network Access Control (NAC)

» NAC allows exceptional control over user access to the network, to mitigate threats to network infrastructure. Allied Telesis x610 switches use IEEE 802.1x port-based authentication in partnership with standards-compliant dynamic VLAN assignment, to assess a user's adherence to network security policies, and then either grant access or offer remediation.

» If multiple users share a port, multi-authentication can be used. Different users on the same port can be assigned to different VLANs, and so given different levels of network access. Additionally, a guest VLAN can be configured to provide a catch-all for users who aren't authenticated.

## sFlow

» sFlow is an industry standard technology for monitoring high-speed switched networks. It provides complete visibility into network use, enabling performance optimization, usage accounting/billing, and defense against security threats. Sampled packets sent to a collector ensure it always has a real-time view of network traffic.

## Dynamic Host Configuration Protocol (DHCPv6)

» DHCPv6 is used to dynamically assign IPv6 addresses to hosts from a central location. Acting as DHCPv6 client enables the switch to receive an IPv6 address, and acting as server enables the switch to dynamically allocate IPv6 addresses to hosts. The DHCPv6 server and client both support the Prefix Delegation feature which allocates a whole IPv6 subnet to a DHCP client. The client, in turn, can allocate addresses from this subnet to the hosts that are connected to it.

## Virtual Router Redundancy Protocol (VRRPv3)

» VRRPv3 is a protocol for providing device redundancy, by connecting redundant WAN gateway routers or server access switches in an IPv6 network. It allows a backup router or switch to automatically take over if the primary (master) router or switch fails.

## Energy Efficient Ethernet (EEE)

» The x610 Series supports Energy Efficient Ethernet (EEE), which automatically reduces the power consumed by the switch whenever there is no traffic on a port. This sophisticated feature can significantly reduce your operating costs by reducing the power requirements of the switch and any associated cooling equipment.



# Key Solutions

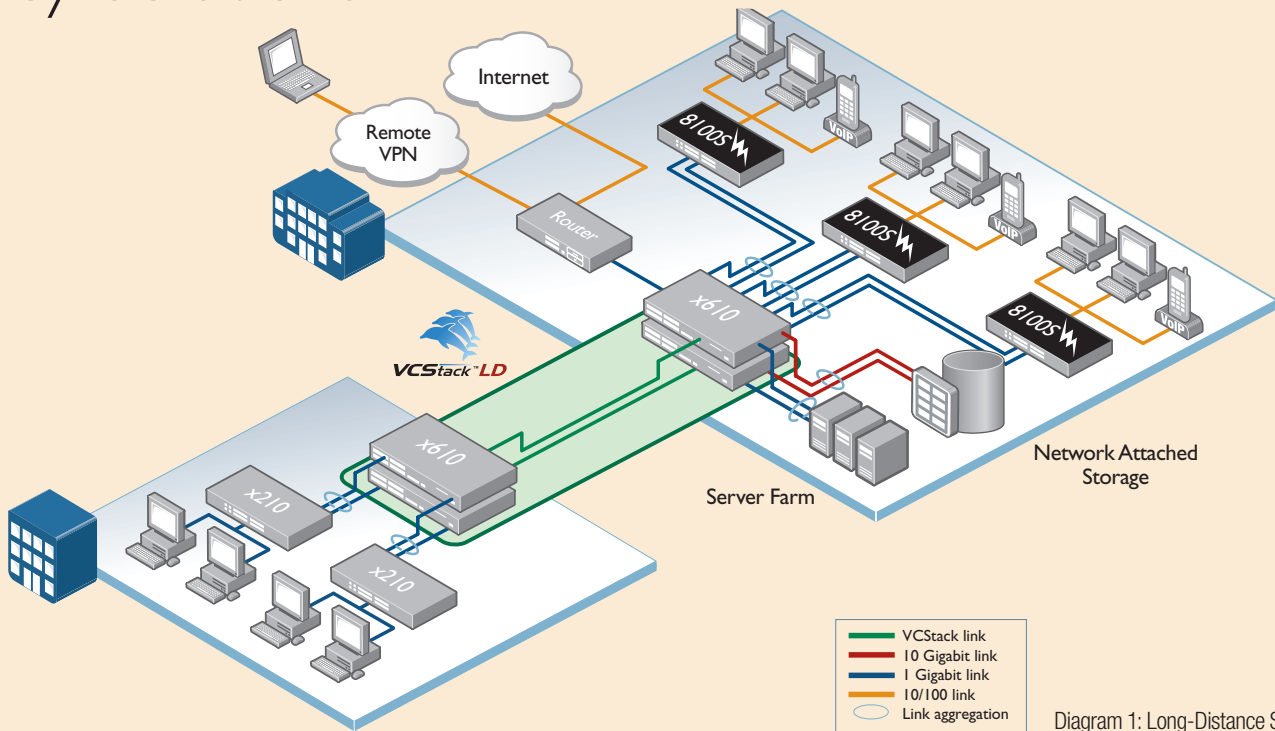


Diagram 1: Long-Distance Stacking

## Distributed Core

VCStack LD (Long Distance) enables the VCStack solution to provide a distributed network core. The increased distance provided by fiber stacking connectivity means that members of the virtual chassis do not need to be co-located. Instead, they can be kilometers apart. Diagram 1 shows an example of a long distance stack, where the single virtual distributed core ensures high availability of data for network users.

## Network Virtualization

Virtual Routing and Forwarding (VRF Lite) allows multiple customers to share a common infrastructure, while maintaining their own independent virtual routing domains. Individual customers can take advantage of shared resources such as printers and Internet access via filtered inter-VRF communication, while maintaining absolute security. See diagram 2.

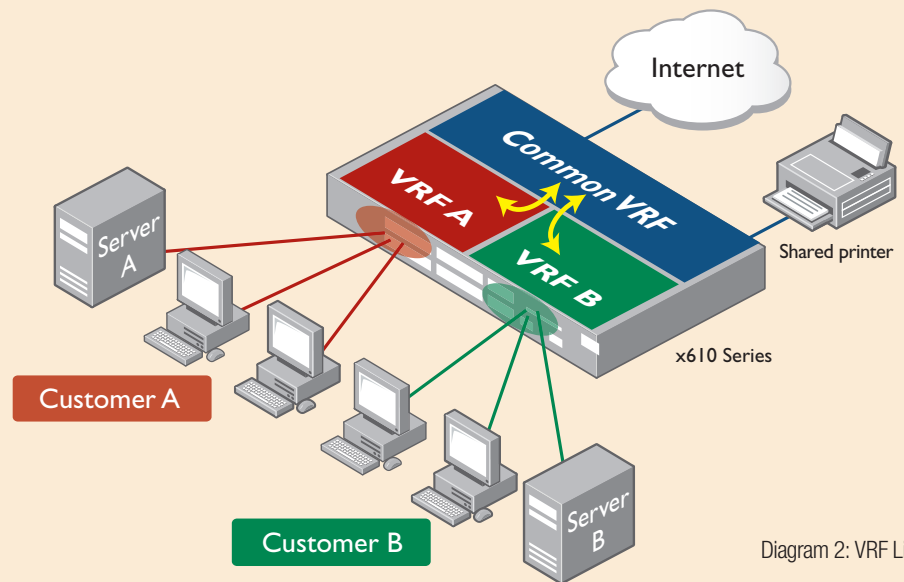


Diagram 2: VRF Lite

**Specifications**

PRODUCT	10/100/1000T (RJ-45) COPPER PORTS	100/1000X SFP PORTS	SFP AND 10/100/1000 COMBO PORTS	TOTAL GIGABIT PORTS	10 GIGABIT SFP+ PORTS	MAX POE+ PORTS	SWITCHING FABRIC	FORWARDING RATE
AT-x610-24Ts	20	-	4	24	-	2*	-	96Gbps 71.4Mpps
AT-x610-24Ts-POE+	20	-	4	24	-	24	96Gbps	71.4Mpps
AT-x610-24Ts/X	20	-	4	24	2	4*	-	136Gbps 101.2Mpps
AT-x610-24Ts/X-POE+	20	-	4	24	2	24	136Gbps	101.2Mpps
AT-x610-24SPs/X	-	20	4	24	2	4*	-	136Gbps 101.2Mpps
AT-x610-48Ts	44	-	4	48	-	2*	-	144Gbps 107.1Mpps
AT-x610-48Ts-POE+	44	-	4	48	-	48	144Gbps	107.1Mpps
AT-x610-48Ts/X	46	-	2	48	2	4*	-	184Gbps 136.9Mpps
AT-x610-48Ts/X-POE+	46	-	2	48	2	48	184Gbps	136.9Mpps

\* with AT-x6EM/XS2 module in standalone switch

**Performance**

- » 48Gbps of stacking bandwidth
- » Supports 9KB jumbo frames
- » Wirespeed multicasting
- » Up to 32K MAC addresses
- » 8K Layer 3 entries
- » 512MB DDR SDRAM
- » 64MB flash memory
- » Packet buffer memory: AT-x610-24Ts - 2MB  
AT-x610-48Ts - 4MB

**Reliability**

- » Modular AlliedWare Plus operating system
- » Redundant power supply available to load share with internal power supply, providing uninterrupted power and extra reliability
- » Full environmental monitoring of PSUs, fans, temperature and internal voltages. SNMP traps alert network managers in case of any failure

**Expandability**

- » One expansion bay
- » Stackable up to eight units in a VCStack
- » IPv6 routing license option
- » Advanced Layer 3 license option

**Flexibility and Compatibility**

- » Mix up to four x600 and x610 units in the same VCStack
- » Gigabit SFP combo ports support any combination of 1000T, 1000X SFPs, 1000SX, 1000LX, 1000ZX or 1000ZX CWDM SFPs
- » SFP ports on AT-x610-24SPs/X support any combination of 10/100/1000T, 100FX, 100BX, 1000SX, 1000LX, 1000ZX or 1000ZX CWDM SFPs

**Diagnostic Tools**

- » Built-In Self Test (BIST)
- » Optical Digital Diagnostic Monitoring (DDM)
- » Ping polling for IPv4 and IPv6
- » Port mirroring
- » TraceRoute for IPv4 and IPv6

**General Routing**

- » Black hole routing
- » Directed broadcast forwarding
- » DNS relay
- » Equal Cost Multi Path (ECMP) routing

- » Policy-based routing
- » Route maps and route redistribution (OSPF, BGP, RIP)
- » UDP broadcast helper (IP helper)
- » Up to 64 Virtual Routing and Forwarding (VRF Lite) domains (with license)

**IPv6 Features**

- » 6to4 tunneling
- » DHCPv6 relay
- » DNSv6
- » IPv4 and IPv6 dual stack
- » Device management over IPv6 networks with SNMPv6, Telnetv6 and SSHv6
- » NTPv6

**Management**

- » Allied Telesis Management Framework (AMF) enables powerful centralized management and zero-touch device installation.
- » Console management port on the front panel for ease of access
- » Eco-friendly mode allows ports and LEDs to be disabled to save power
- » Web-based Graphical User Interface (GUI)
- » Industry-standard CLI with context-sensitive help
- » SD/SDHC memory card socket allows software release files, configurations and other files to be stored for backup and distribution to other devices
- » Powerful CLI scripting engine
- » Configurable logs and triggers provide an audit trail of SD card insertion and removal
- » Secure Copy (SCP)
- » Comprehensive SNMP MIB support for standards-based device management
- » Built-in text editor
- » Event-based triggers allow user-defined scripts to be executed upon selected system events

**Quality of Service (QoS)**

- » Limit bandwidth per port or per traffic class down to 64kbps
- » Wirespeed traffic classification with low latency essential for VoIP and real-time streaming media applications
- » Policy-based QoS based on VLAN, Port, MAC and general packet classifiers

- » Policy-based storm protection
- » Extensive remarking capabilities
- » Taildrop for queue congestion control
- » Strict priority, weighted round robin or mixed scheduling

**Resiliency Features**

- » Stacking ports can be configured as 10G Ethernet ports
- » Control Plane Prioritization (CPP) ensures the CPU always has sufficient bandwidth to process network control traffic
- » Dynamic link failover (host attach)
- » Ring (Ethernet Protection Switched Rings) with SuperLoop Protection (SLP)
- » Long-Distance stacking (LD-VCStack)
- » Loop protection: loop detection and thrash limiting
- » PVST+ compatibility mode
- » STP root guard
- » VCStack fast failover minimizes network disruption

**Security Features**

- » Access Control Lists (ACLs)
- » Authentication, Authorization and Accounting (AAA)
- » Configurable auth-fail and guest VLANs
- » BPDU protection
- » DHCP snooping, IP source guard and Dynamic ARP Inspection (DAI)
- » DoS attack blocking and virus throttling
- » Dynamic VLAN assignment
- » MAC address filtering and MAC address lock-down
- » Network Access and Control (NAC) features manage endpoint security
- » Port-based learn limits (intrusion detection)
- » Private VLANs provide security and port isolation for multiple customers using the same VLAN
- » Strong password security and encryption
- » Tri-authentication: MAC-based, web-based and IEEE 802.1x

**Environmental Specifications**

- » Operating temperature range: 0°C to 45°C (32°F to 113°F)  
Derated by 1°C per 305 meters (1,000 ft)  
Operation up to 50°C (122°F) for limited period(s) †

† Not more than the following in a one year period: 96 consecutive hours, or 360 hours total or 15 occurrences

# x610 Series | Layer 3+ Network Switches

- » Storage temperature range: -25°C to 70°C (-13°F to 158°F)
- » Operating relative humidity range: 5% to 90% non-condensing
- » Storage relative humidity range: 5% to 95% non-condensing
- » Operating altitude: 3,048 meters maximum (10,000 ft)
- » Front-to-back forced air cooling

## Electrical Approvals and Compliances

- » EMC: EN55022 class A, FCC class A, VCCI class A
- » Immunity: EN55024, EN61000-3-levels 2 (Harmonics), and 3 (Flicker) – AC models only

## Safety

- » Standards: UL60950-1, CAN/CSA-C22.2 No. 60950-1-03, EN60950-1, EN60825-1, AS/NZS 60950.1
- » Certification: UL, cUL, TUV

## Restrictions on Hazardous Substances (RoHS) Compliance

- » EU RoHS compliant
- » China RoHS compliant

## Country of Origin

- » Singapore

## Physical Specifications

PRODUCT	WIDTH	DEPTH	HEIGHT	MOUNTING	WEIGHT	
					UNPACKAGED	PACKAGED
AT-x610-24Ts	440 mm (17.32 in)	420 mm (16.54 in)	44 mm (1.73 in)	Rack-mount	6.3 kg (13.89 lb)	8.8 kg (19.4 lb)
AT-x610-24Ts-POE+	440 mm (17.32 in)	420 mm (16.54 in)	44 mm (1.73 in)	Rack-mount	5.6 kg (12.35 lb)	7.6 kg (16.76 lb)
AT-x610-24Ts/X	440 mm (17.32 in)	420 mm (16.54 in)	44 mm (1.73 in)	Rack-mount	6.3 kg (13.89 lb)	9.7 kg (21.38 lb)
AT-x610-24Ts/X-POE+	440 mm (17.32 in)	420 mm (16.54 in)	44 mm (1.73 in)	Rack-mount	5.6 kg (12.35 lb)	7.6 kg (16.76 lb)
AT-x610-24SPs/X	440 mm (17.32 in)	420 mm (16.54 in)	44 mm (1.73 in)	Rack-mount	6.6 kg (14.55 lb)	9.2 kg (20.3 lb)
AT-x610-48Ts	440 mm (17.32 in)	420 mm (16.54 in)	44 mm (1.73 in)	Rack-mount	6.7 kg (14.77 lb)	9.0 kg (19.84 lb)
AT-x610-48Ts-POE+	440 mm (17.32 in)	420 mm (16.54 in)	44 mm (1.73 in)	Rack-mount	6.0 kg (13.23 lb)	7.8 kg (17.2 lb)
AT-x610-48Ts/X	440 mm (17.32 in)	420 mm (16.54 in)	44 mm (1.73 in)	Rack-mount	6.8 kg (14.99 lb)	9.8 kg (21.61 lb)
AT-x610-48Ts/X-POE+	440 mm (17.32 in)	420 mm (16.54 in)	44 mm (1.73 in)	Rack-mount	6.0 kg (13.23 lb)	8.5 kg (18.74 lb)
AT-RPS3000	440 mm (17.32 in)	360 mm (14.17 in)	44 mm (1.73 in)	Rack-mount	4.3 kg (9.48 lb)	6.1 kg (13.45 lb)
AT-PWR250 AC	150 mm (5.9 in)	27.5 mm (10.83 in)	42 mm (1.65 in)	Internal	1.5 kg (3.31 lb)	2.7 kg (5.95 lb)
AT-PWR250 DC	150 mm (5.9 in)	27.5 mm (10.83 in)	42 mm (1.65 in)	Internal	1.5 kg (3.31 lb)	2.7 kg (5.95 lb)
AT-PWR800	150 mm (5.9 in)	27.5 mm (10.83 in)	42 mm (1.65 in)	Internal	1.8 kg (3.97 lb)	2.9 kg (6.39 lb)
AT-PWR1200	150 mm (5.9 in)	330 mm (13 in)	42 mm (1.65 in)	Internal	2.2 kg (4.85 lb)	4.5 kg (9.92 lb)
AT-x6EM/XS2	150 mm (5.9 in)	95 mm (3.74 in)	30 mm (1.18 in)	Internal	0.2 kg (0.44 lb)	0.5 kg (1.1 lb)
AT-StackXG	150 mm (5.9 in)	95 mm (3.74 in)	30 mm (1.18 in)	Internal	0.2 kg (0.44 lb)	0.5 kg (1.1 lb)

## Power and Noise Characteristics

PRODUCT	INTERNAL PSU OR AT-PWR250 (NO PoE LOAD)			AT-PWR800 (FULL PoE+ LOAD)			AT-PWR1200 (FULL PoE+ LOAD)		
	MAX POWER CONSUMPTION	MAX HEAT DISSIPATION	NOISE	MAX POWER CONSUMPTION	MAX HEAT DISSIPATION	NOISE	MAX POWER CONSUMPTION	MAX HEAT DISSIPATION	NOISE
AT-x610-24Ts	81W	299 BTU/hr	51.2 dBA	-	-	-	-	-	-
AT-x610-24Ts-POE+	87W	299 BTU/hr	51.2 dBA	632W	708 BTU/hr	51.8 dBA	930W	913 BTU/hr	-
AT-x610-24Ts/X	89W	320 BTU/hr	51.2 dBA	-	-	-	-	-	-
AT-x610-24Ts/X-POE+	92W	320 BTU/hr	51.2 dBA	636W	729 BTU/hr	51.8 dBA	935W	934 BTU/hr	-
AT-x610-24SPs/X	96W	375 BTU/hr	51.2 dBA	-	-	-	-	-	-
AT-x610-48Ts	112W	405 BTU/hr	51.2 dBA	-	-	-	-	-	-
AT-x610-48Ts-POE+	119W	405 BTU/hr	51.2 dBA	673W	815 BTU/hr	51.8 dBA	1,027W	1071 BTU/hr	-
AT-x610-48Ts/X	120W	427 BTU/hr	51.2 dBA	-	-	-	-	-	-
AT-x610-48Ts/X-POE+	125W	427 BTU/hr	51.2 dBA	681W	836 BTU/hr	51.8 dBA	1,034W	1092 BTU/hr	-

Noise tested to ISO7779; front bystander position

## PSU PoE Options

POWER SUPPLY UNIT	PoE POWER AVAILABLE	MAXIMUM PoE PORTS SUPPORTED			
		CLASS 1 (4.0 W)	CLASS 2 (7.0 W)	CLASS 3 (15.4 W)	CLASS 4 (30 W)
AT-PWR250	-	-	-	-	-
AT-PWR800	480W	48	48	31	16
AT-PWR1200	780W	48	48	48	26

## Latency (microseconds)

PRODUCT	PORT SPEED			
	10MBPS	100MBPS	1GBPS	10GBPS
AT-x610-24Ts	80.0µs	10.6µs	4.2µs	-
AT-x610-24Ts/X	80.0µs	10.6µs	4.2µs	3.4µs
AT-x610-24SPs/X	80.0µs	10.6µs	4.2µs	3.1µs
AT-x610-48Ts	79.3µs	10.6µs	4.2µs	-
AT-x610-48Ts/X	79.3µs	10.7µs	4.2µs	4.9µs

**Standards and Protocols****AlliedWare Plus Operating System**

Version 5.4.3

**Authentication**

RFC 1321 MD5 Message-Digest algorithm  
 RFC 1828 IP authentication using keyed MD5

**Border Gateway Protocol (BGP)**

BGP dynamic capability  
 BGP outbound route filtering  
 RFC 1772 Application of the Border Gateway Protocol (BGP) in the Internet  
 RFC 1997 BGP communities attribute  
 RFC 2385 Protection of BGP sessions via the TCP MD5 signature option  
 RFC 2439 BGP route flap damping  
 RFC 2858 Multiprotocol extensions for BGP-4  
 RFC 2918 Route refresh capability for BGP-4  
 RFC 3392 Capabilities advertisement with BGP-4  
 RFC 4271 Border Gateway Protocol 4 (BGP-4)  
 RFC 4360 BGP extended communities  
 RFC 4456 BGP route reflection - an alternative to full mesh iBGP  
 RFC 4724 BGP graceful restart  
 RFC 4893 BGP support for four-octet AS number space  
 RFC 5065 Autonomous system confederations for BGP

**Encryption**

FIPS 180-1 Secure Hash standard (SHA-1)  
 FIPS 186 Digital signature standard (RSA)  
 FIPS 46-3 Data Encryption Standard (DES and 3DES)

**Ethernet**

IEEE 802.1AX Link aggregation (static and LACP)  
 IEEE 802.2 Logical Link Control (LLC)  
 IEEE 802.3 Ethernet  
 IEEE 802.3ab 1000BASE-T  
 IEEE 802.3ad Static and dynamic link aggregation  
 IEEE 802.3ae 10 Gigabit Ethernet  
 IEEE 802.3af Power over Ethernet (PoE)  
 IEEE 802.3at Power over Ethernet Plus (PoE+)  
 IEEE 802.3az Energy Efficient Ethernet (EEE)  
 IEEE 802.3u 100BASE-X  
 IEEE 802.3x Flow control - full duplex operation  
 IEEE 802.3z 1000BASE-X

**General Routing**

RFC 768 User Datagram Protocol (UDP)  
 RFC 791 Internet Protocol (IP)  
 RFC 792 Internet Control Message Protocol (ICMP)  
 RFC 793 Transmission Control Protocol (TCP)  
 RFC 826 Address Resolution Protocol (ARP)  
 RFC 894 Standard for the transmission of IP datagrams over Ethernet networks  
 RFC 919 Broadcasting Internet datagrams  
 RFC 922 Broadcasting Internet datagrams in the presence of subnets  
 RFC 932 Subnetwork addressing scheme  
 RFC 950 Internet standard subnetting procedure  
 RFC 951 Bootstrap Protocol (BootP)  
 RFC 1027 Proxy ARP  
 RFC 1035 DNS client  
 RFC 1042 Standard for the transmission of IP datagrams over IEEE 802 networks  
 RFC 1071 Computing the Internet checksum  
 RFC 1122 Internet host requirements  
 RFC 1191 Path MTU discovery  
 RFC 1256 ICMP router discovery messages  
 RFC 1518 An architecture for IP address allocation with CIDR  
 RFC 1519 Classless Inter-Domain Routing (CIDR)  
 RFC 1542 Clarifications and extensions for BootP  
 RFC 1591 Domain Name System (DNS)  
 RFC 1812 Requirements for IPv4 routers  
 RFC 1918 IP addressing  
 RFC 2581 TCP congestion control

**IPv6 Features**

RFC 1981 Path MTU discovery for IPv6  
 RFC 2460 IPv6 specification  
 RFC 2464 Transmission of IPv6 packets over Ethernet networks  
 RFC 3056 Connection of IPv6 domains via IPv4 clouds  
 RFC 3484 Default address selection for IPv6  
 RFC 3596 DNS extensions to support IPv6  
 RFC 4007 IPv6 scoped address architecture  
 RFC 4193 Unique local IPv6 unicast addresses  
 RFC 4291 IPv6 addressing architecture  
 RFC 4443 Internet Control Message Protocol (ICMPv6)  
 RFC 4861 Neighbor discovery for IPv6  
 RFC 4862 IPv6 Stateless Address Auto-Configuration (SLAAC)  
 RFC 5014 IPv6 socket API for source address selection  
 RFC 5095 Deprecation of type 0 routing headers in IPv6  
 RFC 5175 IPv6 Router Advertisement (RA) flags option  
 RFC 6105 IPv6 Router Advertisement (RA) guard

**Management**

AT Enterprise MIB  
 SNMPv1, v2c and v3  
 IEEE 802.1AB Link Layer Discovery Protocol (LLDP)  
 RFC 1155 Structure and identification of management information for TCP/IP-based Internets  
 RFC 1157 Simple Network Management Protocol (SNMP)  
 RFC 1212 Concise MIB definitions  
 RFC 1213 MIB for network management of TCP/IP-based Internets: MIB-II  
 RFC 1215 Convention for defining traps for use with the SNMP  
 RFC 1227 SNMP MUX protocol and MIB  
 RFC 1239 Standard MIB  
 RFC 1724 RIPv2 MIB extension  
 RFC 2011 SNMPv2 MIB for IP using SMIv2  
 RFC 2012 SNMPv2 MIB for TCP using SMIv2  
 RFC 2013 SNMPv2 MIB for UDP using SMIv2  
 RFC 2096 IP forwarding table MIB  
 RFC 2578 Structure of Management Information v2 (SMIv2)  
 RFC 2579 Textual conventions for SMIv2  
 RFC 2580 Conformance statements for SMIv2  
 RFC 2674 Definitions of managed objects for bridges with traffic classes, multicast filtering and VLAN extensions  
 RFC 2741 Agent extensibility (AgentX) protocol  
 RFC 2787 Definitions of managed objects for VRRP  
 RFC 2819 RMON MIB (groups 1,2,3 and 9)  
 RFC 2863 Interfaces group MIB  
 RFC 3164 Syslog protocol  
 RFC 3176 sFlow: a method for monitoring traffic in switched and routed networks  
 RFC 3411 An architecture for describing SNMP management frameworks  
 RFC 3412 Message processing and dispatching for the SNMP  
 RFC 3413 SNMP applications  
 RFC 3414 User-based Security Model (USM) for SNMPv3  
 RFC 3415 View-based Access Control Model (VACM) for SNMP  
 RFC 3416 Version 2 of the protocol operations for the SNMP  
 RFC 3417 Transport mappings for the SNMP  
 RFC 3418 MIB for SNMP  
 RFC 3621 Power over Ethernet (PoE) MIB  
 RFC 3635 Definitions of managed objects for the Ethernet-like interface types  
 RFC 3636 IEEE 802.3 MAU MIB  
 RFC 4188 Definitions of managed objects for bridges  
 RFC 4318 Definitions of managed objects for bridges with RSTP  
 RFC 4560 Definitions of managed objects for remote ping, traceroute and lookup operations  
 RFC 6527 Definitions of managed objects for VRRPv3

**Multicast Support**

Bootstrap Router (BSR) mechanism for PIM-SM  
 IGMP query solicitation  
 IGMP snooping  
 IGMP/MLD multicast forwarding (IGMP/MLD proxy)  
 MLD snooping (v1 and v2)  
 PIM for IPv6  
 RFC 1112 Host extensions for IP multicasting  
 RFC 2236 Internet Group Management Protocol v2 (IGMPv2)  
 RFC 2710 Multicast Listener Discovery (MLD) for IPv6  
 RFC 2715 Interoperability rules for multicast routing protocols  
 RFC 3376 IGMPv3  
 RFC 3810 Multicast Listener Discovery v2 (MLDv2) for IPv6  
 RFC 3973 PIM Dense Mode (DM)  
 RFC 4541 IGMP and MLD snooping switches  
 RFC 4601 Protocol Independent Multicast - Sparse Mode (PIM-SM): protocol specification (revised)  
 RFC 4604 Using IGMPv3 and MLDv2 for source-specific multicast  
 RFC 4607 Source-specific multicast for IP

**Open Shortest Path First (OSPF)**

OSPF link-local signaling  
 OSPF MD5 authentication  
 OSPF restart signaling  
 Out-of-band LSDB resync  
 RFC 1245 OSPF protocol analysis  
 RFC 1246 Experience with the OSPF protocol  
 RFC 1370 Applicability statement for OSPF  
 RFC 1765 OSPF database overflow  
 RFC 2328 OSPFv2  
 RFC 2370 OSPF opaque LSA option  
 RFC 2740 OSPFv3 for IPv6  
 RFC 3101 OSPF Not-So-Stubby Area (NSSA) option  
 RFC 3509 Alternative implementations of OSPF area border routers  
 RFC 3623 Graceful OSPF restart  
 RFC 3630 Traffic engineering extensions to OSPF  
 RFC 4552 Authentication/confidentiality for OSPFv3  
 RFC 5329 Traffic engineering extensions to OSPFv3

**Quality of Service (QoS)**

IEEE 802.1p Priority tagging  
 RFC 2211 Specification of the controlled-load network element service  
 RFC 2474 DiffServ precedence for eight queues/port  
 RFC 2475 DiffServ architecture  
 RFC 2597 DiffServ Assured Forwarding (AF)  
 RFC 2697 A single-rate three-color marker  
 RFC 2698 A two-rate three-color marker  
 RFC 3246 DiffServ Expedited Forwarding (EF)

**Resiliency Features**

IEEE 802.1D MAC bridges  
 IEEE 802.1s Multiple Spanning Tree Protocol (MSTP)  
 IEEE 802.1w Rapid Spanning Tree Protocol (RSTP)  
 RFC 5798 Virtual Router Redundancy Protocol version 3 (VRRPv3) for IPv4 and IPv6

**Routing Information Protocol (RIP)**

RFC 1058 Routing Information Protocol (RIP)  
 RFC 2080 RIPng for IPv6  
 RFC 2081 RIPng protocol applicability statement  
 RFC 2082 RIP-2 MD5 authentication  
 RFC 2453 RIPv2

**Security Features**

SSH remote login  
 SSLv2 and SSLv3  
 TACACS+ authentication and accounting  
 IEEE 802.1X authentication protocols (TLS, TTLS, PEAP and MD5)  
 IEEE 802.1X multi-suplicant authentication  
 IEEE 802.1X port-based network access control

# x610 Series | Layer 3+ Network Switches

- RFC 2246 TLS protocol v1.0
- RFC 2865 RADIUS
- RFC 2866 RADIUS accounting
- RFC 2868 RADIUS attributes for tunnel protocol support
- RFC 3546 Transport Layer Security (TLS) extensions
- RFC 3579 RADIUS support for Extensible Authentication Protocol (EAP)
- RFC 3580 IEEE 802.1x RADIUS usage guidelines
- RFC 3748 PPP Extensible Authentication Protocol (EAP)
- RFC 4251 Secure Shell (SSHv2) protocol architecture
- RFC 4252 Secure Shell (SSHv2) authentication protocol
- RFC 4253 Secure Shell (SSHv2) transport layer protocol
- RFC 4254 Secure Shell (SSHv2) connection protocol

## Services

- RFC 854 Telnet protocol specification
- RFC 855 Telnet option specifications
- RFC 857 Telnet echo option
- RFC 858 Telnet suppress go ahead option
- RFC 1091 Telnet terminal-type option
- RFC 1350 Trivial File Transfer Protocol (TFTP)
- RFC 1985 SMTP service extension
- RFC 2049 MIME
- RFC 2131 DHCPv4 (server, relay and client)
- RFC 2132 DHCP options and BootP vendor extensions
- RFC 2554 SMTP service extension for authentication
- RFC 2616 Hypertext Transfer Protocol - HTTP/1.1
- RFC 2821 Simple Mail Transfer Protocol (SMTP)
- RFC 2822 Internet message format
- RFC 3046 DHCP relay agent information option (DHCP option 82)
- RFC 3315 DHCPv6 (server, relay and client)
- RFC 3633 IPv6 prefix options for DHCPv6
- RFC 3646 DNS configuration options for DHCPv6
- RFC 3993 Subscriber-ID suboption for DHCP relay agent option
- RFC 4330 Simple Network Time Protocol (SNTP) version 4
- RFC 5905 Network Time Protocol (NTP) version 4

## VLAN Support

- Generic VLAN Registration Protocol (GVRP)
- IEEE 802.1ad Provider bridges (VLAN stacking, Q-in-Q)
- IEEE 802.1Q Virtual LAN (VLAN) bridges
- IEEE 802.1v VLAN classification by protocol and port
- IEEE 802.3ac VLAN tagging

## Voice over IP (VoIP)

- LLDP-MED ANSI/TIA-1057
- Voice VLAN

## Ordering Information

### Feature Licenses

NAME	DESCRIPTION	INCLUDES
<b>AT-FL-x610-01</b>	x610 advanced Layer 3 license	<ul style="list-style-type: none"> <li>» OSPF<sup>1</sup></li> <li>» PIM-SM</li> <li>» PIM-DM</li> <li>» BGP4</li> <li>» VLAN double tagging (Q-in-Q)</li> <li>» VRF Lite</li> </ul>
<b>AT-FL-x610-02</b>	x610 IPv6 pack	<ul style="list-style-type: none"> <li>» RIPng</li> <li>» OSPFv3</li> <li>» PIMv6-SM</li> <li>» MLDv1 and v2</li> </ul>
<b>AT-FL-RADIUS-FULL</b>	Increase local RADIUS server support limits <sup>2</sup>	<ul style="list-style-type: none"> <li>» 5000 users</li> <li>» 1000 NAS</li> </ul>

<sup>1</sup> The standard switch software supports 64 OSPF routes. The advanced Layer 3 license supports 12K OSPF routes.

<sup>2</sup> 100 users and 24 NAS can be stored in local RADIUS database with base software.

## x610 Series

### AT-x610-24Ts-60

24-port Gigabit switch with 20 x 10/100/1000T (RJ-45) copper ports and 4 additional combo ports (1000X SFP or 10/100/1000T), internal PSU



### AT-x610-24Ts-POE+-00

24-port Gigabit switch with 20 x 10/100/1000T (RJ-45) Power over Ethernet (IEEE 802.3at) copper ports and 4 additional combo ports (1000X SFP or 10/100/1000T), removable PSU (PSU not included)



### AT-x610-24Ts/X-60

24-port Gigabit switch with 20 x 10/100/1000T (RJ-45) copper ports, 4 additional combo ports (1000X SFP or 10/100/1000T) and 2 x SFP+ 10 Gigabit ports, internal PSU



### AT-x610-24Ts/X-PoE+-00

24-port Gigabit switch with 20 x 10/100/1000T (RJ-45) Power over Ethernet (IEEE 802.3at) copper ports, 4 additional combo ports (1000X SFP or 10/100/1000T) and 2 x SFP+ 10 Gigabit ports, removable PSU (PSU not included)



### AT-x610-24SPs/X-60

24-port Gigabit switch with 20 x 100/1000X (SFP) ports, 4 additional combo ports (1000X SFP or 10/100/1000T) and 2 x SFP+ 10 Gigabit ports, internal PSU



### AT-x610-48Ts-60

48-port Gigabit switch with 44 x 10/100/1000T (RJ-45) copper ports and 4 additional combo ports (1000X SFP or 10/100/1000T), internal PSU



### AT-x610-48Ts-POE+-00

48-port Gigabit switch with 44 x 10/100/1000T (RJ-45) Power over Ethernet (IEEE 802.3at) copper ports and 4 additional combo ports (1000X SFP or 10/100/1000T), removable PSU (PSU not included)



### AT-x610-48Ts/X-60

48-port Gigabit switch with 46 x 10/100/1000T (RJ-45) copper ports, 2 additional combo ports (1000X SFP or 10/100/1000T) and 2 x SFP+ 10 Gigabit ports, internal PSU

### AT-x610-48Ts/X-PoE+-00

48-port Gigabit switch with 46 x 10/100/1000T (RJ-45) Power over Ethernet (IEEE 802.3at) copper ports, 2 additional combo ports (1000X SFP or 10/100/1000T) and 2 x SFP+ 10 Gigabit ports, removable PSU (PSU not included)

# x610 Series | Layer 3+ Network Switches



## Expansion Modules

### AT-x6EM/XS2-00

Expansion module (2 x SFP+) for long distance stacking or two additional 10GbE ports

### AT-StackXG-00

Expansion module with one AT-StackXG/0.5-00 cable included



## Cables

### AT-StackXG/0.5-00

0.5 meter cable for stacking

### AT-StackXG/1-00

1 meter cable for stacking

### AT-SPI0TW1

1 meter SFP+ direct attach cable

### AT-SPI0TW3

3 meter SFP+ direct attach cable

### AT-SPI0TW7

7 meter SFP+ direct attach cable



## 10GbE SFP+ Modules

### AT-SPI0SR

10GSR 850 nm short-haul, 300 m with MMF

### AT-SPI0LR

10GLR 1310 nm medium-haul, 10 km with SMF

## 100Mbps SFP Modules

### AT-SPFX/2

100FX multi-mode 1310 nm fiber up to 2 km

### AT-SPFX/15

100FX single-mode 1310 nm fiber up to 15 km

### AT-SPFXBD-LC-13

100BX Bi-Di (1310 nm Tx, 1550 nm Rx) fiber up to 10 km

### AT-SPFXBD-LC-15

100BX Bi-Di (1550 nm Tx, 1310nm Rx) fiber up to 10 km

100Mbps SFP modules cannot be used in SFP combo ports on any x610 Series switch. They are only compatible with the AT-x610-24SPs/X switch.

## 1000Mbps SFP Modules

### AT-SPTX

1000T 100 m copper

### AT-SPSX

1000SX GbE multi-mode 850 nm fiber up to 550 m

### AT-SPSX/I

1000SX GbE multi-mode 850 nm fiber up to 550 m industrial temperature

### AT-SPEX

1000X GbE multi-mode 1310 nm fiber up to 2 km

### AT-SPLX10

1000LX GbE single-mode 1310 nm fiber up to 10 km

### AT-SPLX10/I

1000LX GbE single-mode 1310 nm fiber up to 10 km industrial temperature

### AT-SPBD10-13

1000LX GbE Bi-Di (1310 nm Tx, 1490 nm Rx) fiber up to 10 km

### AT-SPBD10-14

1000LX GbE Bi-Di (1490 nm Tx, 1310 nm Rx) fiber up to 10 km

### AT-SPLX40

1000LX GbE single-mode 1310 nm fiber up to 40 km

### AT-SPZX80

1000ZX GbE single-mode 1550 nm fiber up to 80 km



## PoE Power Supplies

### AT-PWR800-xx

Additional 800W AC system and PoE+ power supply

### AT-PWR1200-xx

Additional 1200W AC system and PoE+ power supply

Where xx = 10 for US power cord  
20 for no power cord  
30 for UK power cord  
40 for Australian power cord  
50 for European power cord

## Power Supply Accessories

### AT-RPS3000-00

Chassis for up to two redundant power supplies (PSUs not included)

### AT-PWR250-xx

Additional 250W AC system power supply

### AT-PWR250-80

Additional 250W DC system power supply

### AT-RPS-CBL1.0

1 meter RPS cable



the solution : the network

North America Headquarters | 19800 North Creek Parkway | Suite 100 | Bothell | WA 98011 | USA | T: +1 800 424 4284 | F: +1 425 481 3895

Asia-Pacific Headquarters | 11 Tai Seng Link | Singapore | 534182 | T: +65 6383 3832 | F: +65 6383 3830

EMEA & CSA Operations | Incheonweg 7 | I437 EK Rozenburg | The Netherlands | T: +31 20 7950020 | F: +31 20 7950021

alliedtelesis.com

© 2013 Allied Telesis, Inc. All rights reserved. Information in this document is subject to change without notice. All company names, logos, and product designs that are trademarks or registered trademarks are the property of their respective owners. 617-000470 Rev J